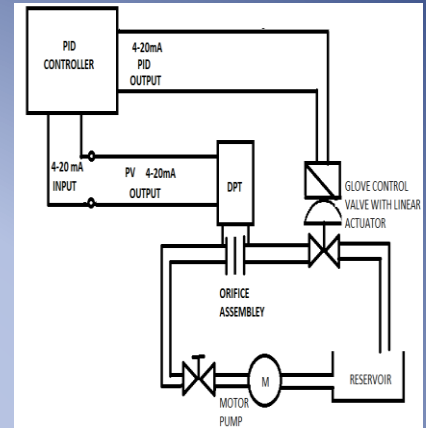


AUTOMATIC FLOW , PRESSURE /LEVEL AND TEMPERATURE CONTROLLER

A Microline table top model with Source Tank. The Set up designed to demonstrate principle of liquid flow measurement by Differential Pressure Transmitter(Honey well) and Orifice.

- The tank is of Acrylic with liters graduated.
- A pump fitted to circulate the water
- DPT is connected with the orifice
- ORIFICE installed vertically.
- Glove valve
- Electrical linear valve actuator (Honey well)
- PID closed loop Controller
- indicator display the flow data from DPT
- Other necessary accessories and equipment to setup the experiment .

Differential Pressure Transmitter : Type: DPT make Honeywell,
 Range: 0-1000 LPH, Output: 4-20mA, Supply: 24 V DC 100 mA,
 Mounting: Horizontal
 Connection: ½”
 Orifice : Range: 0-1000 LPH
 SS bob material Glass Tube Type/ Acrylic body.
 Connection: ½”, Bob Material- SS 304,
 Pump: ½ HP. 1 phase, 230 VAC,
 Surface mounting Tank: Around 20-30 litre capacity,
 Piping and other accessories



MICROLINE INDIA

Email: info@microlineindia.in

www.microlineindia.in